

# SharkBite 90° Elbow

A high-performance, time and labour saving brass push-fit fitting. Suitable for hot and cold water, central heating and recirculating hot water systems.

## Overview

The SharkBite 90° Elbow quickly and securely connects equally sized pipes to form a 90° pipe bend. Withstanding high temperature and pressure, the push-fit fitting is ideal for hot and cold water and central heating systems. Made from extra tough material, it is also suitable for connecting copper pipes to boilers\*, as well as recirculating systems.

Manufactured from lead-free 4MS compliant DZR brass, SharkBite's slimline design looks good in front of the wall and is easily detectable when installed behind the wall.

Using a simple and instant push action, SharkBite is safer and cleaner to install than traditional methods as there is no need for tools, soldering, crimping, clamps or glue. SharkBite is also compatible with copper or JG Speedfit PEX Barrier pipe.

\*excluding gas applications

## Features

- Instant push-fit connection
- Stainless steel grab ring firmly and securely grips copper or plastic pipe
- KIWA Class III approved EDPM O-Ring withstands high temperatures
- Lead-free and non-toxic 4MS compliant DZR brass
- Electrically continuous without the need for extra earth bonding
- Slimline profile available in 12 to 28mm sizes

## Benefits

- Durable and secure solution with high pressure and temperature rating
- 40% faster to install than traditional methods
- Secure tamperproof demounting
- Safe and simple to install using no tools, hot works, crimping, clamps or glue
- Easy to fit, especially in tight spaces when manoeuvring tools is difficult
- Brass slimline design looks good in front and behind the wall



SBE0212

Product code	Size	Description	Bag quantity
SBE0212	12mm	90° Elbow	1
SBE0212-Z	12mm	90° Elbow	10
SBE0215	15mm	90° Elbow	1
SBE0215-Z	15mm	90° Elbow	10
SBE0218	18mm	90° Elbow	1
SBE0218-Z	18mm	90° Elbow	10
SBE0222	22mm	90° Elbow	1
SBE0222-Z	22mm	90° Elbow	10
SBE0228	28mm	90° Elbow	1
SBE0228-Z	28mm	90° Elbow	5



\*For copper pipe 12-28mm



\*For copper pipe 12-28mm & JG Speedfit PEX Barrier Pipe 12mm and 15mm

## SharkBite 90° Elbow

### Working pressures and temperatures

Size	Pipe	Pressure/temperature			
12mm	PEX-B	12 Bar / -20°C min	12 Bar / 20°C max	6 Bar / 65°C min	6 Bar / 95°C max
	Copper	20 Bar / -24°C min	20 Bar / 30°C max	16 Bar / 65°C min	10 Bar / 120°C max
15mm	PEX-B	12 Bar / -20°C min	12 Bar / 20°C max	6 Bar / 65°C min	6 Bar / 95°C max
	Copper	20 Bar / -24°C min	20 Bar / 30°C max	16 Bar / 65°C min	10 Bar / 120°C max
18mm	PEX-B	12 Bar / -20°C min	12 Bar / 20°C max	6 Bar / 65°C min	6 Bar / 95°C max
	Copper	20 Bar / -24°C min	20 Bar / 30°C max	16 Bar / 65°C min	10 Bar / 120°C max
22mm	PEX-B	12 Bar / -20°C min	12 Bar / 20°C max	6 Bar / 65°C min	6 Bar / 95°C max
	Copper	20 Bar / -24°C min	20 Bar / 30°C max	16 Bar / 65°C min	10 Bar / 120°C max
28mm	PEX-B	12 Bar / -20°C min	12 Bar / 20°C max	6 Bar / 65°C min	6 Bar / 95°C max
	Copper	20 Bar / -24°C min	20 Bar / 30°C max	16 Bar / 65°C min	10 Bar / 120°C max

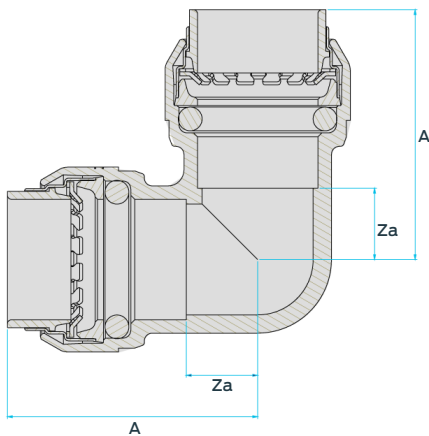
### Application

- Hot and cold water
- Central heating systems
- Hot recirculating systems

### Materials

Body	CW724R lead-free DZR brass
O-Ring	Ethylene-Propylene-Diene-Monomer Rubber (EPDM)
Cartridge ringe	304 Stainless Steel
Grab ring	316 Stainless Steel
Disconnecting ring	Acetal Copolymer
Alignment ring	Nylon 6

### Dimensions



Product code	Size	A	Za
SBE0212	12mm	32mm	8mm
SBE0215	15mm	34mm	9mm
SBE0218	18mm	36mm	10mm
SBE0222	22mm	43mm	13mm
SBE0228	28mm	46mm	14mm